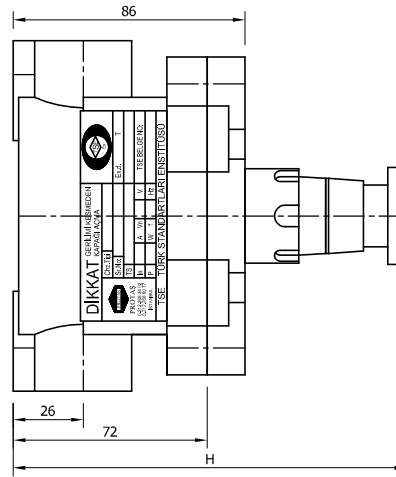
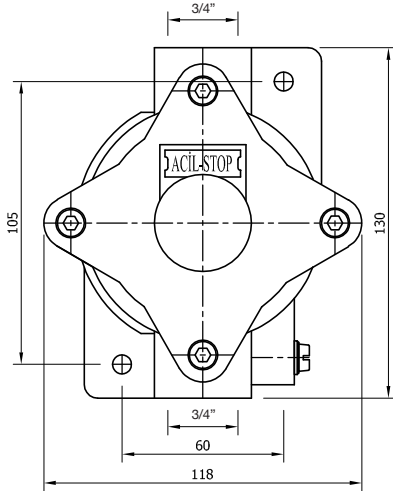




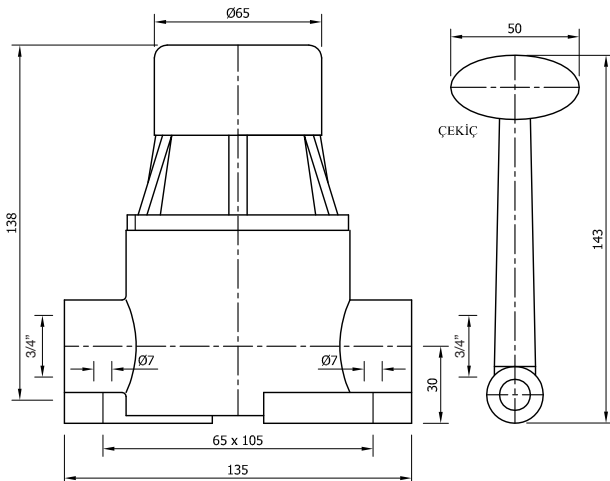
EFD KUMANDA KUTULARI / CONTROL STATIONS



Malzeme / Material: Alüminyum ETIAL 140 / Ortalama Ağırlık / Approximate Weight: 1.00 kg

EFD	3	H (mm)
Ürün Tipi / Product	Kapak Düzeni / Order On Cover	
0	Potansiyometre / Potentiometer	108
1	Start Butonu / Start Button	115
2	Stop Butonu / Stop Button	115
3	Acil Stop Butonu / Emergency Stop Button	146
3A	Kilitli Acil Stop Butonu / Emergency Stop Button With Lock	146
4	Kırmızı Sinyal / Red Signal Lamp	110
5	Yeşil Sinyal / Green Signal Lamp	110

EFDC. 1 E YANGIN İHBAR / FIRE ALARM



Malzeme / Material: Alüminyum ETIAL 140 / Ortalama Ağırlık / Approximate Weight: 2.20 kg

www.protas.com.tr